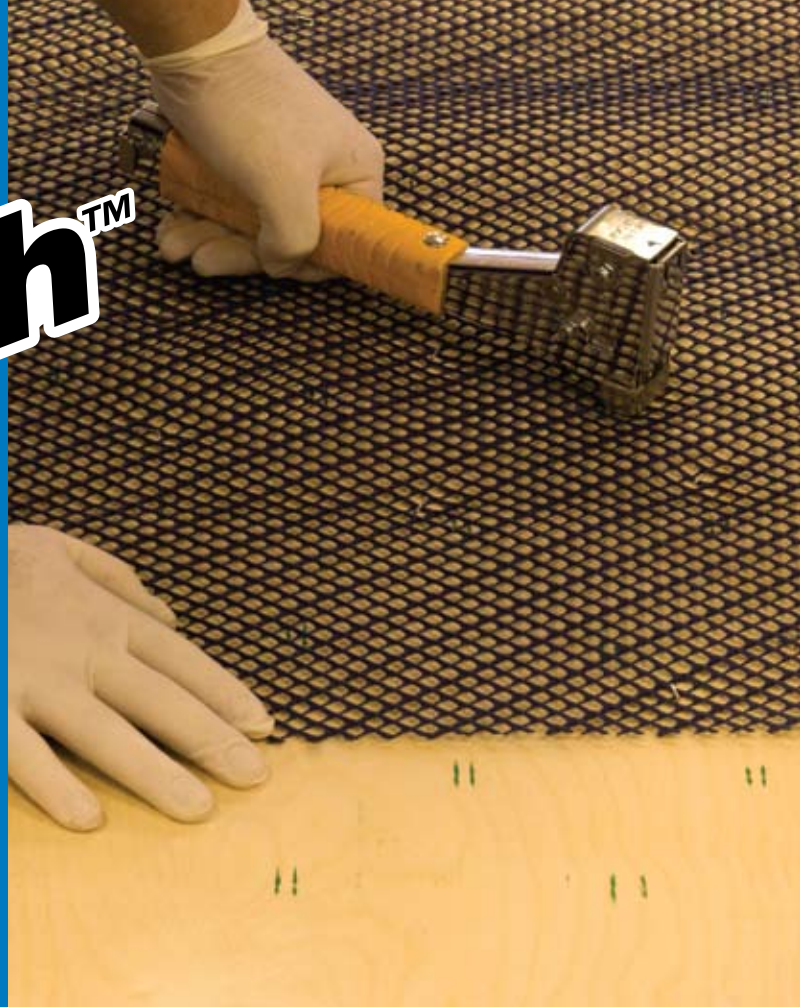




# Mapelath™

## Synthetic Lath



### DESCRIPTION

*Mapelath* is a lightweight, noncorroding, alkali-resistant synthetic lath used as a substitute for traditional metal lath. It is lighter and easier to work with.

### FEATURES AND BENEFITS

- Lightweight, noncorroding underlayment
- For interior floor applications

### WHERE TO USE

- Most interior residential floor installations over plywood subfloors
- For use with most electric radiant-heated floor systems
- For the installation of tile over properly prepared and approved existing vinyl flooring over substrates meeting criteria from chart below.

### LIMITATIONS

- *Mapelath* should only be used with *Ultracontact*™ mortar; *Ultracontact RS* rapid-set mortar; or MAPEI self-leveling underlayments. For details, see applicable Technical Data Sheets (TDSs) at [www.mapei.com](http://www.mapei.com).
- Do not use with perimeter-spread or cushioned-backed vinyl.
- Do not use dry-pack or other manufacturers' preparation products.
- Do not use in conditions subject to temperatures above 150°F (66°C).
- Do not use as a firewall system.
- Do not install over substrates containing asbestos.

- Wood subfloors must be dry to acceptable industry moisture standards; consult the American Plywood Association (APA) guidelines for details. High moisture content in subfloors reduces fastening strength and generates significant stress movements as the plywood dries.

Consult MAPEI's Technical Services Department for installation recommendations regarding substrates and conditions not listed and installations where the joist span is greater than 19.2" (49 cm).

### **FOR USE WITH MAPEI SELF-LEVELING UNDERLAYMENTS**

#### **SURFACE PREPARATION**

- For specification requirements, see Illustration #2. The maximum spacing of I-joists or floor trusses is 19.2" (49 cm) on center.
- In preparation for flooring installation, design the floor areas to have a deflection not greater than L/360 (for ceramic tile) or L/720 (for natural stone) of the span for which the underlayment will be applied. Deflection should be measured under a 300-lb. (136 kg) concentrated load (see ASTM C627).
- Install the plywood or OSB according to the manufacturer's guidelines for the installation of subfloor materials. Plywood or OSB subfloor should be 23/32" (18 mm) tongue-and-groove exterior-grade rating with 1/8" (3 mm) gaps between sheets. The maximum variation in the wood surface should not exceed 1/4" (6 mm) in 10 feet (3,05 m) from the required plane.
- The plywood or OSB floor should be clean and free of dust, dirt, paint and oily film.

# Mapelath™



- Tape the plywood or OSB joints with duct tape, and then prime with the appropriate MAPEI primer for self-leveling. See the TDS for installation instructions and recommendations.
- Allow for adequate perimeter expansion at walls, staircases, doors, baseboards, entries and other areas where *Mapelath* abuts a change in plane. The gap should be left open and filled with a flexible sealant.

## PRODUCT APPLICATION

1. Install *Mapelath* over the primed plywood or OSB. The lath should have a 2" (5 cm) overlap at all seams, stapled flat and uniformly.
2. Apply a MAPEI self-leveling underlayment at a minimum thickness of 3/8" (10 mm), completely encapsulating the *Mapelath*. Reference the TDS for the leveler to be used and for in-depth application instructions.
3. Allow the self-leveling underlayment to cure before tile installation. See the specific TDS for details.
4. In areas of limited water exposure, use a MAPEI waterproofing membrane. See the specific TDS for details.
5. If needed, use a MAPEI crack-isolation and sound-reduction membrane.
6. Use any of the MAPEI mortars recommended for use over self-levelers, waterproofing membranes, or crack-isolation and sound-reduction membranes. See specific TDSs for details.
7. Use any recommended MAPEI grout. See specific TDSs for details.

## EXPANSION AND CONTROL JOINTS

Provide for expansion and control joints as specified per TCNA Detail EJ171, or TTMAC Specification Guide 09 30 00, Detail 301MJ. Do not cover expansion joints.

## FOR TILE AND STONE INSTALLATIONS

### SURFACE PREPARATION

Check floor joist and subfloor for movement, missed fasteners, lack of support and required spacing between sheets (typically 1/8" [3 mm]), correcting where necessary. Ensure that the substrate is structurally sound and free of excessive movement. For details regarding proper surface preparation and acceptable subfloors, see MAPEI's "Surface Preparation Requirements" document for tile and stone installation systems at [www.mapei.com](http://www.mapei.com).

### PRODUCT APPLICATION

1. Lay out *Mapelath* over the substrate ridge-side down. Cut to fit. The *Mapelath* seams should be lightly butted

together. Do not overlap. Ensure that the *Mapelath* seams are offset 6" (15 cm) from plywood seams.

2. To fasten *Mapelath*, use hot-dipped galvanized roofing nails at least 1" (2.5 cm) long. A pneumatic or electric stapler also can be used with noncorrosive staples. A hammer tacker can be used, but additional stapling may be required for *Mapelath* to lay flat. Staple *Mapelath* directly to the plywood substrate using staples that are at least 1/2" (12 mm) in crown width and 9/16" (14 mm) in length. Staple every 4" to 6" (10 to 15 cm) in each direction in the field, and every 2" to 4" (5 to 10 cm) on the seams and perimeter. For installations over vinyl flooring, use longer staples with a minimum length of 5/8" (16 mm) to penetrate plywood. Stapling in a fan pattern will minimize creasing and bunching of the lath.

#### 3a. One-step mortar application

Spread a thin pressure-applied coat of *Ultracontact* or *Ultracontact RS* into the lath with the flat side of the trowel. Follow immediately by combing with a typical notched trowel to achieve the recommended coverage for the mortar.

#### 4a. Two-step mortar application

In some cases, wood substrates have variations in surface height that require correction before setting tile. Substrate irregularities not exceeding 1/2" (12 mm) can be corrected with the following two-step process:

Step 1 – Apply a scratchcoat using only *Ultracontact RS* rapid-set mortar. Flat-trowel the necessary amount of *Ultracontact RS* to correct the surface irregularity, up to 1/2" (12 mm) thick.

Step 2 – Allow the *Ultracontact RS* scratchcoat to cure for at least 3 to 4 hours before installing tile with *Ultracontact* or *Ultracontact RS* as a mortar.

Use any recommended MAPEI grout. See specific TDSs for details.

## EXPANSION AND CONTROL JOINTS

Provide for expansion and control joints as specified per TCNA Detail EJ171, or TTMAC Specification Guide 09 30 00, Detail 301MJ. Do not cover expansion joints with mortar or tile.

### PROTECTION

Allow at least 24 hours when using *Ultracontact*, and at least 3 to 4 hours of drying time when using *Ultracontact RS* before surface traffic and grouting. For installations of large-format and porcelain tile, installations over vinyl flooring and other nonporous substrate environments, and when jobsite temperatures drop below 60°F (16°C) and/or when relative humidity is higher than 70%, extended curing and protection times are required before grouting and allowing traffic.

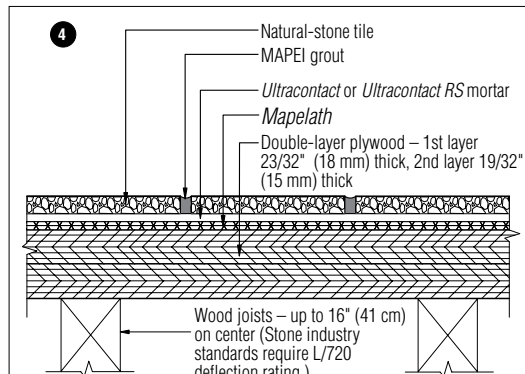
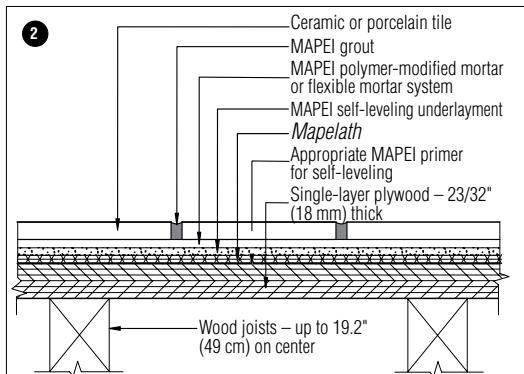
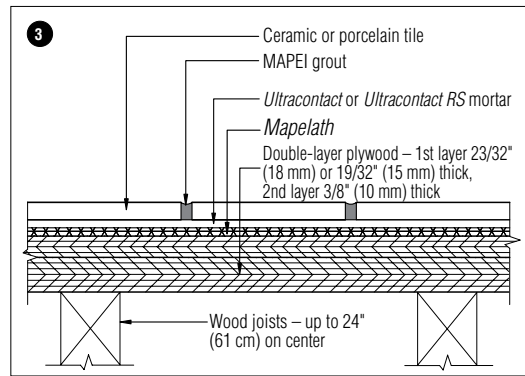
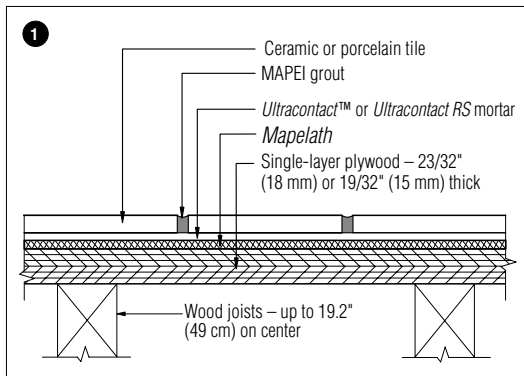
## Packaging

Product Code	Size
02702001	27" x 25' (0,69 x 7,62 m) roll; 56 sq. ft. (5,20 m <sup>2</sup> )
02702000	27" x 75' (0,69 x 22,9 m) roll; 168 sq. ft. (15,6 m <sup>2</sup> )

## Flooring System Recommendations for Tile and Stone Installations

For use of *Mapelath* as a mechanical bond to the substrate

Substrate	Layers	1st Layer	2nd Layer	Joist Span	Mortar	Type of Installation	Illustration
Exterior-grade plywood	1	Tongue and groove 19/32" (15 mm)	N/A	19.2" (49 cm)	<i>Ultracontact</i> or <i>Ultracontact RS</i>	Ceramic or porcelain tile	#1
Exterior-grade plywood	1	23/32" (18 mm)	N/A	19.2" (49 cm)	<i>Ultracontact</i> or <i>Ultracontact RS</i>	Ceramic or porcelain tile	#1
OSB (oriented strand board)	1	23/32" (18 mm)	N/A	19.2" (49 cm)	<i>Ultracontact</i> or <i>Ultracontact RS</i>	Ceramic or porcelain tile	#1
Exterior-grade plywood	1	23/32" (18 mm)	N/A	19.2" (49 cm)	Any MAPEI polymer-modified or flexible mortar system	Ceramic or porcelain tile	#2
Exterior-grade plywood	2	Tongue and groove 23/32" (18 mm) or 19/32" (15 mm)	3/8" (10 mm)	24" (61 cm)	<i>Ultracontact</i> or <i>Ultracontact RS</i>	Ceramic or porcelain tile	#3
Exterior-grade plywood	2	Tongue and groove 23/32" (18 mm)	19/32" (15 mm)	16" (41 cm)	<i>Ultracontact</i> or <i>Ultracontact RS</i>	Natural stone	#4



# Mapelath™



Refer to MAPEI's MSDS for specific data related to VOCs, health and safety, and handling of product.

## STATEMENT OF RESPONSIBILITY

Before using, user shall determine the suitability of the product for its intended use and user alone assumes all risks and liability whatsoever in connection therewith. **ANY CLAIM SHALL BE DEEMED WAIVED UNLESS MADE IN WRITING TO US WITHIN FIFTEEN (15) DAYS FROM DATE IT WAS, OR REASONABLY SHOULD HAVE BEEN, DISCOVERED.**

We proudly support the following industry organizations:



**MAPEI Headquarters of the Americas**  
1144 East Newport Center Drive  
Deerfield Beach, Florida 33442  
Phone: 1-888-US-MAPEI  
(1-888-876-2734)

**Technical Services**  
1-800-992-6273 (U.S. and Puerto Rico)  
1-800-361-9309 (Canada)

**Customer Service**  
1-800-42-MAPEI (1-800-426-2734)

For the most current **BEST-BACKED™** product data and warranty information, visit [www.mapei.com](http://www.mapei.com).

**Edition Date:** June 17, 2010  
PR4417 MLTD\_F10Ev © 2010 MAPEI Corporation.  
All Rights Reserved. Printed in the USA.